

PBOX®

www.pboxlighting.com

X4 (Split Type)

SPECIFICATIONS 2020



CE | CB | IP66 | IK08



Double-Sided
Solar Panel



Superior Outdoor LED



Lightweight
Design



Battery Management
System

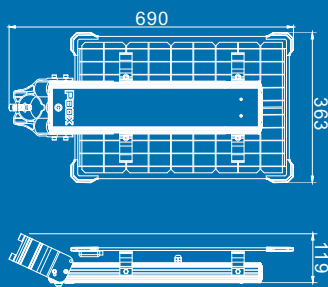


High Efficiency
Controller

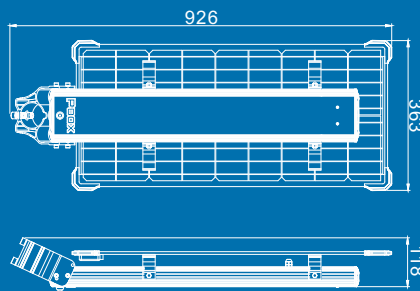


IP66 Waterproof

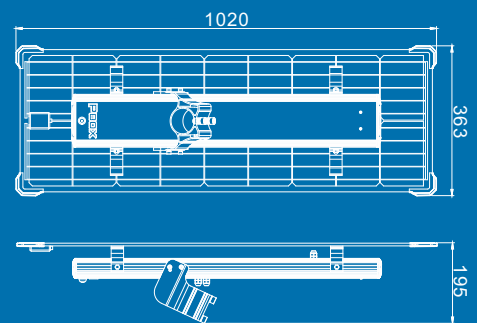
Physical Dimensions (mm)



X4BD-SL10 / X4BI-SL15



X4CL-SL20

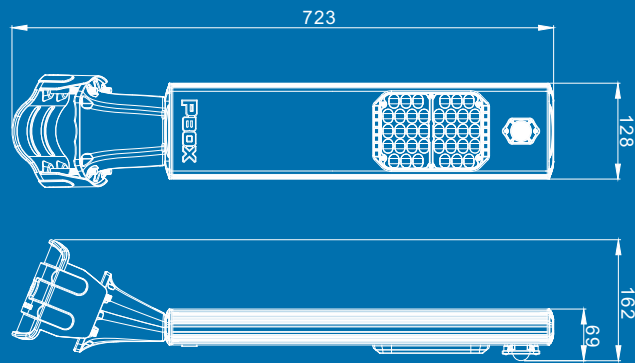


X4DN-SL30

X4 Series solar street light

Model No.	X4BD-SL10	X4BI-SL15	X4CL-SL20	X4DN-SL30	
Physical Parameters					
Power of PV Module (W)	30	30	45	60	
Lithium Battery Capacity (WH)	77	154	230	308	
PIR Sensor	Standard Model: 100% brightness when motion detected, after 30 seconds will switch to energy saving mode (20% brightness).				
Net Weight of Product (Kg)	6.5	7	10.5	13	
Dimension of Product (mm)	675×363×130		926×363×130	1020×363×194	
Light Photosensitivity (lx)	30				
Packing Parameters					
Main Package	Carton Size(mm)	745×185×435		995×185×435	1155×160×440
	Gross Weight (kg)	7.5	8	12	14.5
Environment Requirement					
Charge Temperature	0°C~60°C				
Discharge Temperature	-20°C~60°C				
Storage Temperature	-0°C~45°C				
Mounting Recommendation					
Wind Load Rate (mph)	110	110	110	110	
Top of Pole or Tenon OD (mm)	55~60	55~60	55~60	55~60	
Recommended Installation Height (M)	3~5	4~6	5~7	6~8	
Recommended Installation Distance (M)	10~20	15~25	15~25	20~30	

Physical Dimensions (mm)



SL15 / SL50

LED Street Light Technical Data

Model No.	SL15	SL50
Physical Parameters		
Light output (W)	5~15	20~50
Typical Luminous Flux (lm)	900~2550	3600~8500
Qty. of LED Chips	16	36
Color Temperature (K)	5000	
Optical Distribution	Bat Wing	
Visual Angle	150°×70°	
PIR Sensor	●	●
Net Weight of Product (Kg)	3.5	
Dimension of Product (mm)	723×128×69	
Packing Parameters		
Dimension of Carton (mm)	760×220×240	
Gross Weight of Product (Kg)	5	
Storage Temperature	0°C~45°C	
Mounting Recommendation		
Wind Load Rate (mph)	110	
Top of Pole or Tenon OD (mm)	65~90	
Recommended Installation Height (M)	4~6	5~8
Recommended Installation Distance (M)	10~25	15~30

Powerband Green Energy Ltd.

4th floor of office building, No.15, Pingbei 2nd road, Nanping industrial park, Zhuhai, China 519000

TEL: 86-756-8680199

FAX: 86-756-8682090

E-mail: sales@pboxlighting.com

www.pboxlighting.com

PBOX[®]
www.pboxlighting.com