

**PBOX**<sup>®</sup>  
www.pboxlighting.com



CE | CB | IP66 | IK08

# X4 (Split type) Solar Street Light



Double-Sided  
Solar Panel



High Efficiency  
Controller



Battery  
Management  
System



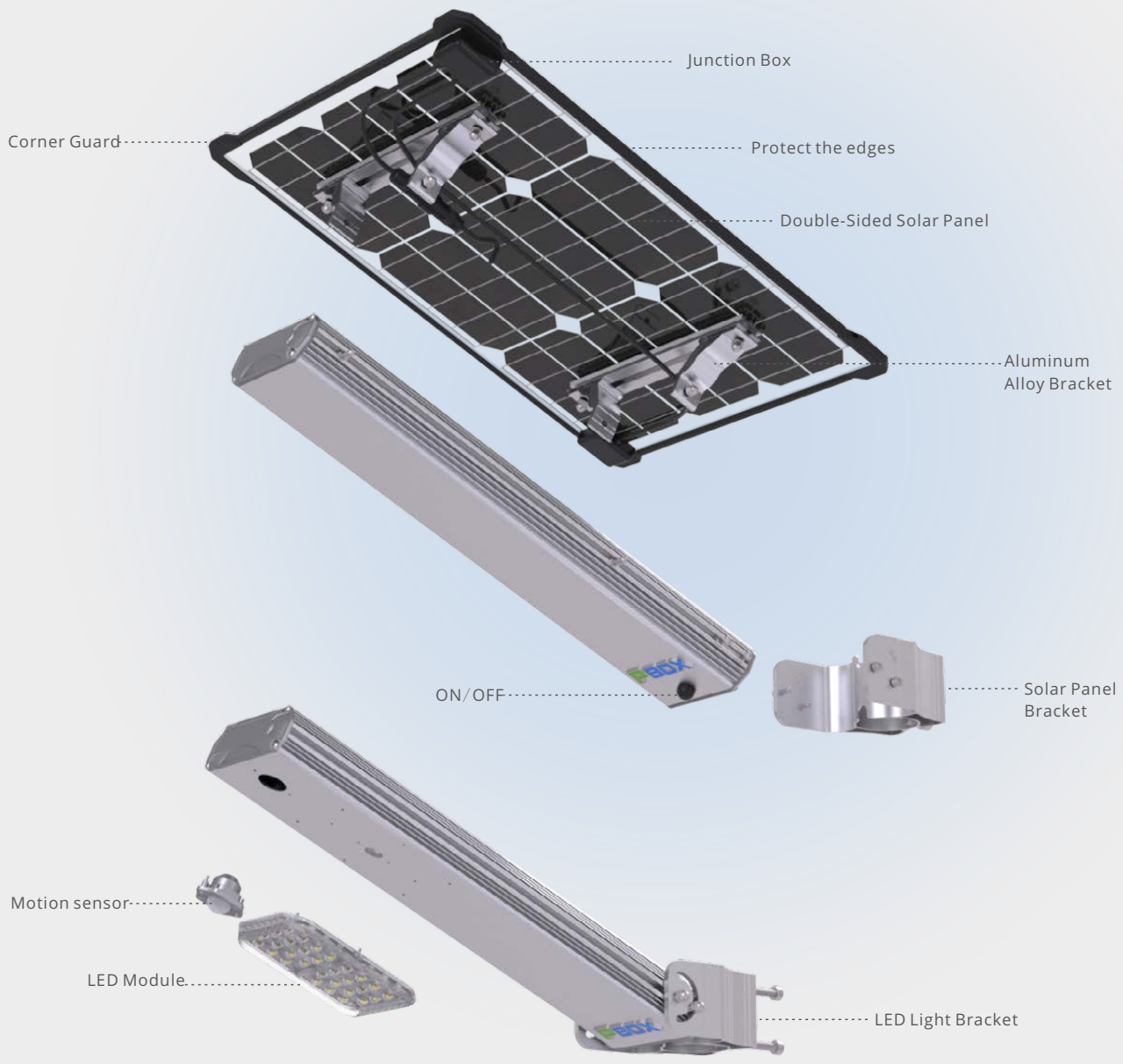
Superbright  
LED lamps



Motion Sensor



IP66 Waterproof



## Simple Design, Superior Quality

X4 series is a brandnew design developed by PBOX team. The solar lighting system integrates bifacial solar panels with high conversion efficiency, high luminous LED lamps, long life and environment friendly batteries with intelligent battery management system, and stable and intelligent controllers.

With such a smart and compact design, the X4 is very easy to install, maintain and transport, providing users with a very convenient off-grid lighting solution.



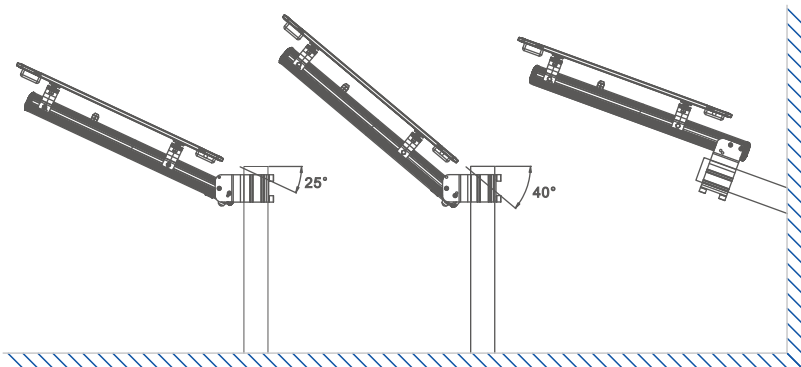
## Solid & Reliable Bracket Structure

The high strength 6063 aluminium alloy, corrosion resistant anodized surface, and special structure design, makes the bracket strong, secure and reliable.



### The bracket can be adjusted from multiple angles

- Vertical rod installation can choose 25° or 40°
- The bracket is down to fix the bar

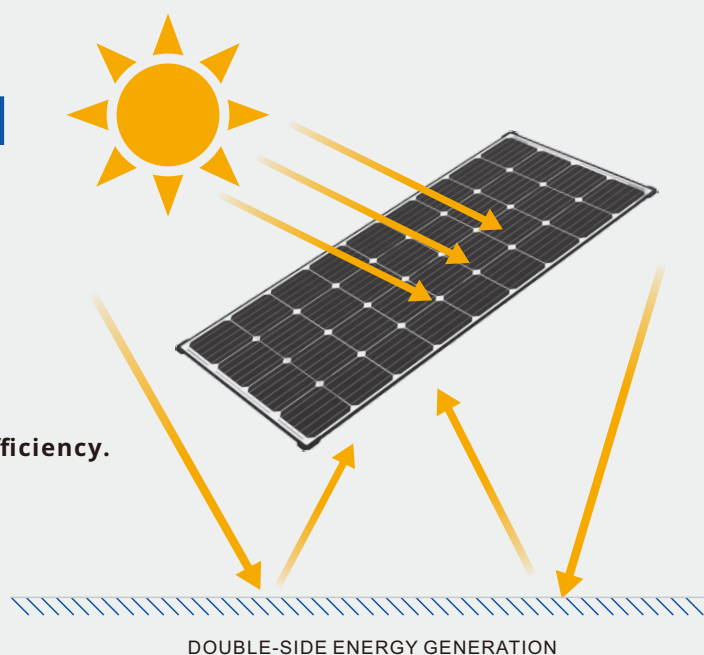
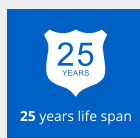
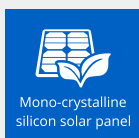
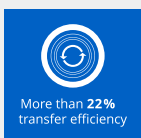




## Efficient Double-Sided Solar Panel

X4 uses the unique designed double-sided PV module and tempered glass on the panel, which minimizes the risk of degradation of the panel, enabling long-term use.

- **Bifacial solar module, more energy generation.**
- **Mono-crystalline solar panel, Up to 22% conversion efficiency.**





PBOX

## LiFePO4 Li-ion Battery

Green and environmental-friendly LiFePO4 Li-ion battery. The battery can charge and discharge over 2000 times.

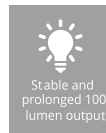
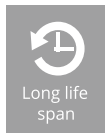
Overcharge & over-discharge protection, Stable performance, high temperature resistance.



## High Efficient LED

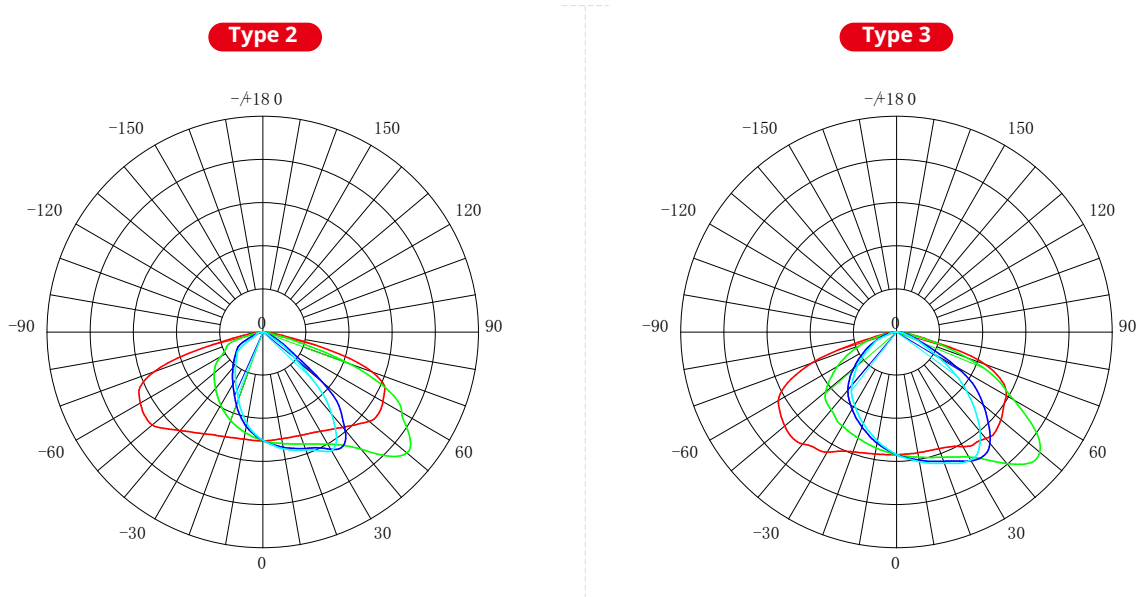
Using high-efficiency LED, luminous efficiency is up to 190lm/W (@25 C). The lights sealing lens is made of strong anti-ultraviolet PC, which has anti-aging and anti-impact performance, enabling long term usage.

The unique design of the optic lens, allows us to eliminate the lighting pollution to the environment.



# Bat Wing Light Distribution

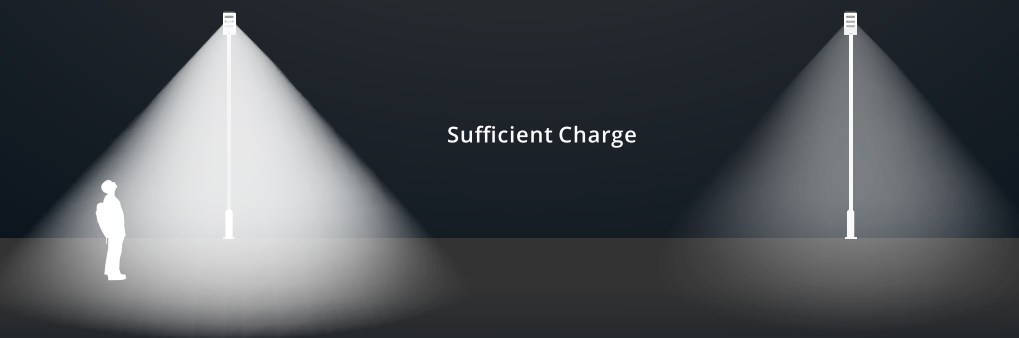
The new lens design improves the lighting effect and lighting uniformity, while also increasing light coverage.



PBOX X4 comes complete with built-in motion detection system that automatically regular the light source from full bright to dim mode to increase battery autonomy.

100% Brightness when motion is detected

25% Brightness when no motion is detected

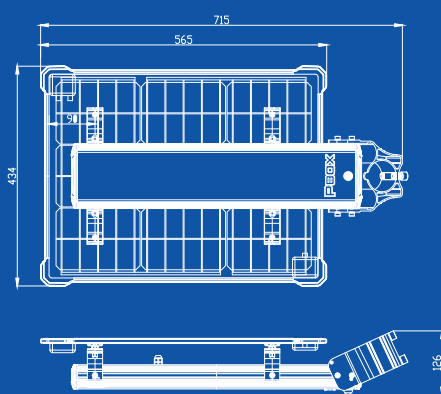


**For example:** when the battery storage capacity is sufficient, the lamp power is on standard output (100% brightness when it detects someone, 25% brightness when no one there).

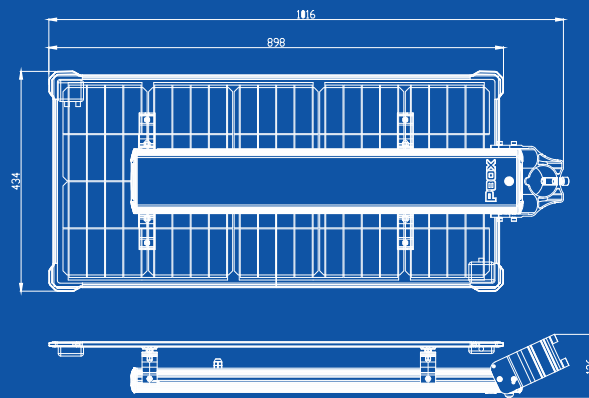
## X4 Series Solar Street Light Specifications

Model No.	X4BI-SL15	X4DN-SL30	
<b>PV Module Parameters</b>			
PV Module Power Output (Wp)	35	60	
PV Module Type	Monocrystalline	Monocrystalline	
Lithium Battery Capacity (Wh)	154	308	
Working Mode			
Net Weight of Product (kg)	6.5	12.5	
Dimension of Product (mm)	715×434×126	1016×434×126	
Light Photosensitivity (lx)	30	30	
<b>Packing Parameters</b>			
Main Package	Carton Size (mm)	765×290×490	1065×290×490
	Gross Weight (kg)	15	27
<b>Environment Requirement</b>			
Charge Temperature	0°C~54°C	0°C~54°C	
Discharge Temperature	-20°C~54°C	-20°C~54°C	
Storage Temperature (<3 months)	-20°C~45°C	-20°C~45°C	
Storage Temperature (3~12 months)	-20°C~25°C	-20°C~25°C	
<b>Mounting Recommendation</b>			
EPA (Effective Projected Area) (ft <sup>2</sup> )	1.69	2.41	
APA (Actual Projected Area) (ft <sup>2</sup> )	1.41	2.01	
Wind Load Rate (mph)	110	110	
Top of Pole or Tenon OD (mm)	55~60	55~60	
Recommended Installation Height (m)	4~6	6~8	
Recommended Installation Distance (m)	15~25	20~30	

### Physical Dimensions (mm)



X4BI-SL15



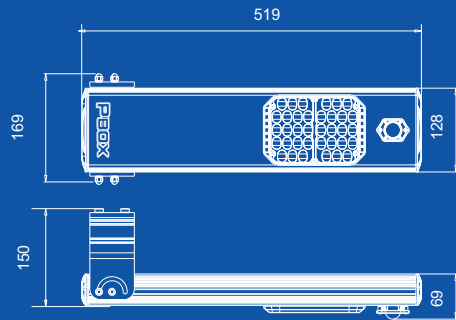
X4DN-SL30

- \* The light source contained in this luminaire shall only be replaced by the manufacturer, its service agent or a qualified person. The torque setting for any bolts or screws used to secure the luminaire to the bracket is 14 N/m. Use for outdoors only.

## LED Street Light Specification

Model No.	X4BI-SL15(L)	X4DN-SL30(L)
<b>LED Module Parameters</b>		
Light Output (W)	5~20(15)	30~50(30/40/50)
Qty. of LED Chips	16	36
Optional Light Distribution	T2/T3	T2/T3
Color Temperature (K)	5000	5000
Typical Luminous Flux (lm)	1000~3896	5643~8818
Optional Light Distribution	T2/T3	T2/T3
PIR Sensor	●	●
Net Weight of Product (kg)	3	3
Dimension of Product (mm)	519x169x150	519x169x150
Storage Temperature	0°C~45°C	0°C~45°C
<b>Packing Parameters</b>		
Dimension of Carton (mm)	675x215x205	675x215x205
Gross Weight of Product (kg)	7.5	7.5
Gross Weight of Product (kg)	2	2
<b>Mounting Recommendation</b>		
EPA (Effective projected area) (ft <sup>2</sup> )	0.42	0.42
APA (Acutal projected area) (ft <sup>2</sup> )	0.35	0.35
Wind Load Rate (mph)	110	110
Top of Pole or Tenon OD (mm)	55~60	55~60
Recommended Installation Height (m)	4~6	5~8
Recommended Installation Distance (m)	10~25	15~35

### Physical Dimensions (mm)



X4BI-SL15(L)/X4DN-SL30(L)